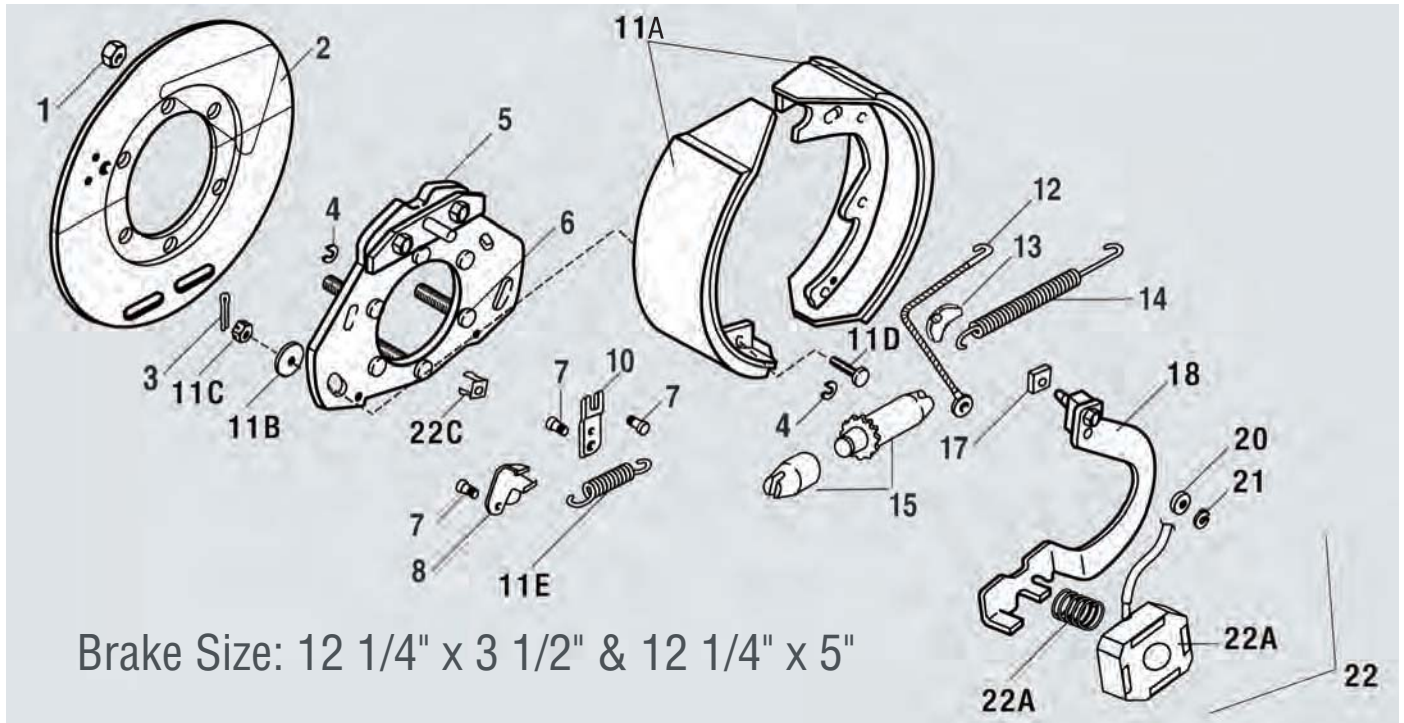


**Parts List**

No.	Part Description	Dexter Part No. 10K GD	Dexter Part No. 10K AD
1	Oil Seal	010-257-00	010-056-00
2	Inner Bearing Cone	031-090-02	031-095-02
3	Inner Bearing Cup	031-090-01	031-095-01
4	Armature Plate	071-823-00	071-823-00
4A	Flat Head Bolt, 1/4" - 20	007-358-00	007-358-00
4B	Lock Washer, 1/4"	005-079-00	005-079-00
4C	Hex Nut, 1/4" - 20	006-099-00	006-099-00
5B	Hub & Drum (F.F.) 4.88" Hub Pilot	008-481-09	008-490-05
5C	Hub & Drum (F.F.) 4.75" Hub Pilot	008-481-05	008-490-09
6	Wheel Stud, 5/8" x 3" for Single & Flat Face	007-362-00	007-362-00
7A	Dual Wheel Nut - Swiveling Flange 5/8" - 18	006-209-00	006-209-00

No.	Part Description	Dexter Part No. 10K GD	Dexter Part No. 10K AD
NS	Dual Wheel Nut - Fixed Flanged (Coined)	006-058-00	006-058-00
7C	Single Wheel Nut 5/8" - 18 90° Cone	006-109-00	006-109-00
8	Outer Bearing Cup	031-030-02	031-096-01
9	Outer Bearing Cone	031-030-01	031-096-02
10	Spindle Washer	005-224-00	008-224-00
11	Spindle Nut	006-239-00	006-239-00
12	Cotter Pin	019-035-00	019-035-00
13	O-Ring, Oil Cap	010-258-00	010-258-00
14	Oil Cap Assembly	021-219-00	021-219-00
15	Oil Cap Plug	085-017-00	085-017-00
16	Wheel Clamp Ring for 5/8" Studs	033-097-01	033-097-01



**Parts List**

No.	Part Description	12 1/4" x 3 1/2" 10K & 12K Dexter Part No.	12 1/4" x 3 1/2" 10K & 12K Dexter Part No.	12 1/4" x 5" 16K Dexter Part No.
<b>0</b>	<b>LH Brake Assembly Kit</b>	<b>K23-528-00</b>	<b>023-530-00</b>	<b>023-525-00</b>
<b>0</b>	<b>RH Brake Assembly Kit</b>	<b>K23-529-00</b>	<b>023-531-00</b>	<b>023-526-00</b>
0	LH Brake Assembly	023-528-00	023-530-00	023-530-00
0	RH Brake Assembly	023-529-00	023-531-00	023-531-00
1	Brake Attaching Nut 1/2" - 20	006-129-01	006-129-01	006-129-01
2	Dust Cover (Metal) (2 Required)	036-140-01	036-140-01	036-140-01
3	Shoe Hold Down Cotter Pin	019-027-00	019-027-00	019-027-00
4	Pin Retaining Clip	046-168-00	046-168-00	046-168-00
5	Backing Plate Assembly			
6	Brake Mounting Stud 1/2 x 20	007-353-00	007-353-00	007-353-00
7	Self Adjuster Pivot Pin	039-060-00	039-060-00	039-060-00
8	RH Auto Adjust Lever (Shown)	071-814-00	071-814-00	071-814-00
9	LH Auto Adjust Lever	071-813-00	071-813-00	071-813-00
10	Self Adjuster Bias Level	071-826-00	071-826-00	071-826-00
<b>11</b>	<b>Shoe &amp; Lining Kit</b>	<b>K71-818-00</b>	<b>K71-867-00</b>	<b>K71-867-00</b>
11A	Shoe & Lining	040-395-00	040-394-00	040-394-00
11B	Washer Plain	005-197-00	005-197-00	005-197-00
11C	Nut Lock 5/16-24	006-235-00	006-235-00	006-235-00
11D	Bolt Carriage 5/16-24	007-354-00	007-354-00	007-354-00

No.	Part Description	12 1/4" x 3 1/2" 10K & 12K Dexter Part No.	12 1/4" x 3 1/2" 10K & 12K Dexter Part No.	12 1/4" x 5" 16K Dexter Part No.
11E	Spring Self Adjuster Lever	046-165-00	046-165-00	046-165-00
12	Cable Assembly	071-816-00	071-816-00	071-816-00
13	Cable Guide	071-815-00	071-815-00	071-815-00
14	Shoe Retract Spring	046-162-00	046-162-00	046-162-00
15	RH Adjuster Assembly (Shown)	048-028-00	048-028-00	048-028-00
16	LH Adjuster Assembly	048-029-00	048-029-00	048-029-00
17	Slipper Block	050-009-00	050-009-00	050-009-00
18	RH Lever Assembly (Shown)	047-211-00	047-209-00	047-209-00
19	LH Lever Assembly	047-210-00	047-208-00	047-208-00
20	Lever Retaining Washer	005-142-00	005-142-00	005-142-00
21	Lever Retaining Clip	046-167-00	046-167-00	046-167-00
<b>22</b>	<b>Magnet Assembly Kit</b>	<b>K71-863-00</b>	<b>K71-863-00</b>	<b>K71-863-00</b>
22A	Magnet Assy Vented 9-16K	042-148-00	042-148-00	042-148-00
22B	Grommet Magnet Wire	046-166-00	046-166-00	046-166-00
22C	Grommet Strain Relief Adapter	046-170-00	046-170-00	046-170-00
22E	Clip Crimp Ring 1.00" x .75 (Not Shown)	046-169-00	046-169-00	046-169-00
22F	Spring Magnet Retainer 10-16K (Not Shown)	046-164-00	046-164-00	046-164-00